



T&S BRASS AND BRONZE WORKS, INC.

2 Saddleback Cove / P.O. Box 1088
Travelers Rest, SC 29690

Model No.

B-0113-ADF12-B

Item No.

Travelers Rest, SC: 800-476-4103 • Simi Valley, CA: 800-423-0150 • Fax: 864-834-3518 • www.tsbrass.com

This Space for Architect/Engineer Approval

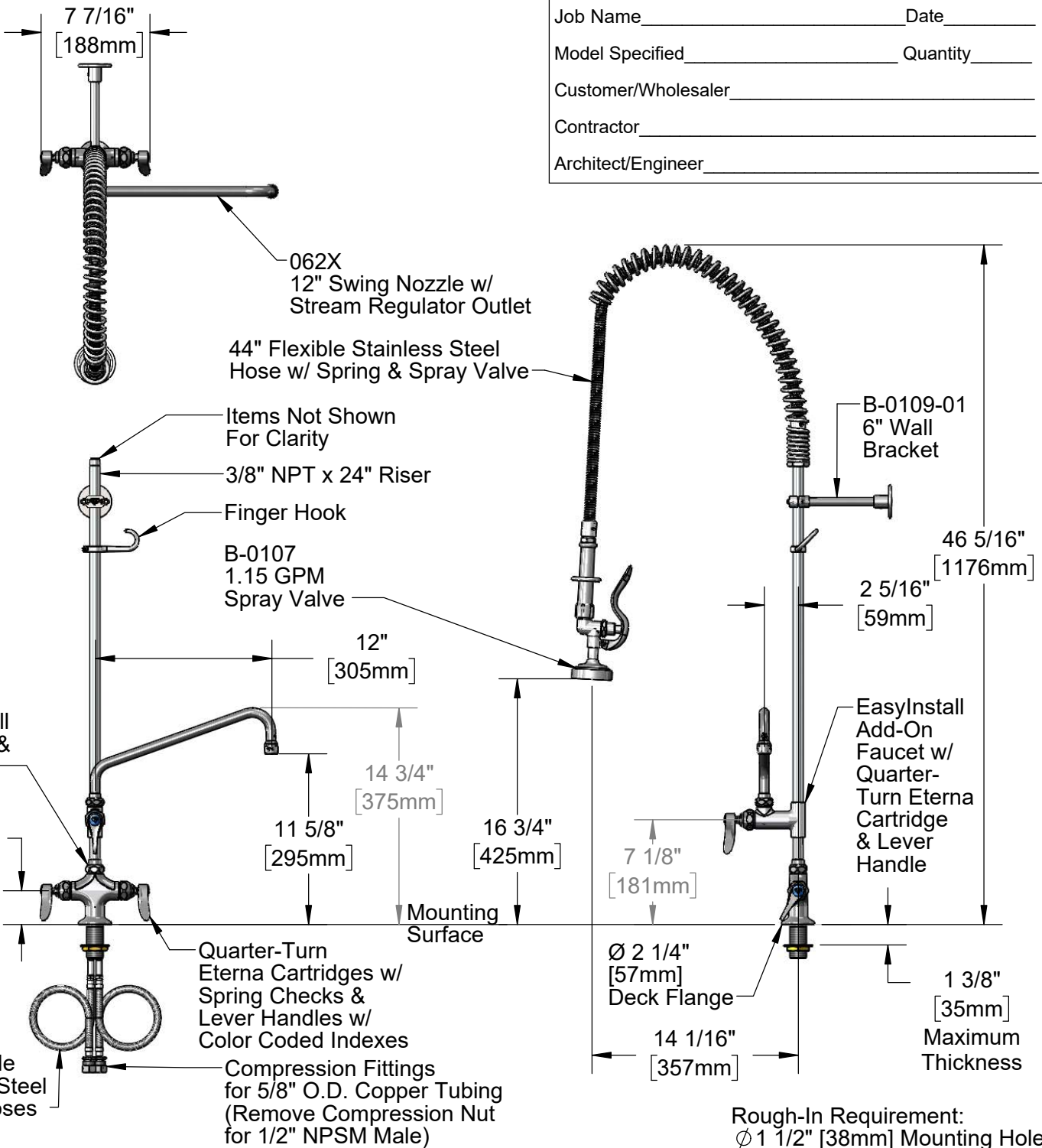
Job Name _____ Date _____

Model Specified _____ Quantity _____

Customer/Wholesaler _____

Contractor _____

Architect/Engineer _____



Product Specifications:

Pre-Rinse Unit: EasyInstall Single Hole Deck Mount Mixing Faucet, Quarter-Turn Eterna Cartridges w/ Spring Checks, Lever Handles, Add-On Faucet, 12" Swing Nozzle, 44" Flexible Stainless Steel Hose, 1.15 GPM Spray Valve, 6" Wall Bracket & Flexible Stainless Steel Supply Hoses

Product Compliance:

ASME A112.18.1 / CSA B125.1
NSF 61 - Section 9
NSF 372 (Low Lead Content)
2019 DOE PRSV - Class II



T&S BRASS AND BRONZE WORKS, INC.

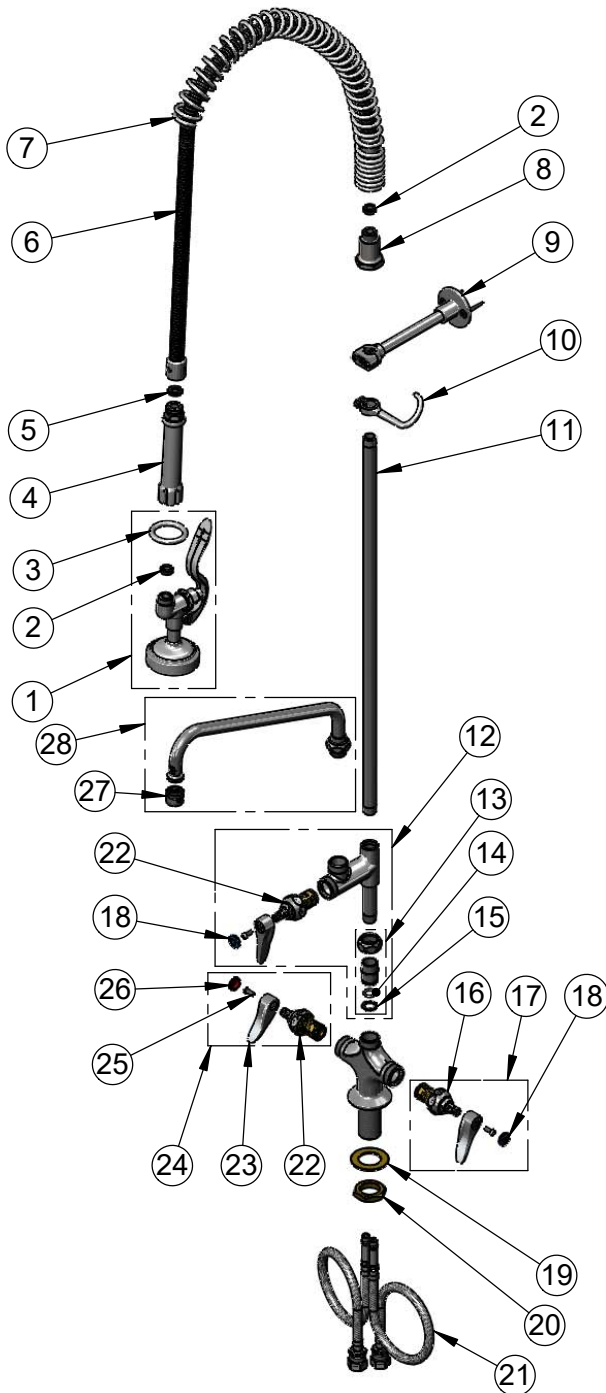
2 Saddleback Cove / P.O. Box 1088
Travelers Rest, SC 29690

Model No.

B-0113-ADF12-B

Item No.

Travelers Rest, SC: 800-476-4103 • Simi Valley, CA: 800-423-0150 • Fax: 864-834-3518 • www.tsbrass.com



| ITEM NO. | SALES NO. | DESCRIPTION |
|----------|-------------|--------------------------------------------------------------------------------|
| 1 | B-0107 | 1.15 GPM Spray Valve |
| 2 | 010476-45 | #27 Washer |
| 3 | 000907-45 | Spray Valve Hold Down Ring |
| 4 | 002987-40 | Grip Handle |
| 5 | 001014-45 | Washer, B-0100 Hose Barrel |
| 6 | B-0044-H2A | 44" Flexible Stainless Steel Hose, Less Handle |
| 7 | 000888-45 | EasyInstall Overhead Spring |
| 8 | 000821-40 | Spring Body |
| 9 | B-0109-01 | 6" Wall Bracket |
| 10 | 004R | Finger Hook |
| 11 | 000372-40 | 3/8" NPT x 24" Riser |
| 12 | B-0155-LNEZ | EasyInstall Add-On Faucet w/ Eterna Cartridge & Lever Handle (Less Nozzle) |
| 13 | EZ-K | EasyInstall Kit: Nut, Bushing, O-ring & Lock Washer |
| 14 | 001065-45 | O-Ring |
| 15 | 014200-45 | Star Washer, Anti-Rotation |
| 16 | 012442-40NS | Quarter-Turn Eterna Cartridge w/ Spring Check, LTC |
| 17 | 002711-40NS | Quarter-Turn Eterna Cartridge w/ Spring Check, Handle, Blue Index & Screw, LTC |
| 18 | 018506-19NS | Blue Button Index, Press-in |
| 19 | 002290-45 | Lock Washer |
| 20 | 000965-45 | Lock Nut |
| 21 | 012534-45 | 18" Flexible Supply Hose (2) |
| 22 | 012443-40NS | Quarter-Turn Eterna Cartridge w/ Spring Check, RTC |
| 23 | 001638-45NS | Lever Handle (New Style) |
| 24 | 002712-40NS | Quarter-Turn Eterna Cartridge w/ Spring Check, Handle, Red Index & Screw, RTC |
| 25 | 000925-45 | Lab Handle Screw |
| 26 | 001193-19NS | Red Button Index, Press-in |
| 27 | B-PT | Full Flow Stream Regulator, 55/64-27 |
| 28 | 062X | 12" Swing Nozzle |

Product Specifications:

Pre-Rinse Unit: EasyInstall Single Hole Deck Mount Mixing Faucet, Quarter-Turn Eterna Cartridges w/ Spring Checks, Lever Handles, Add-On Faucet, 12" Swing Nozzle, 44" Flexible Stainless Steel Hose, 1.15 GPM Spray Valve, 6" Wall Bracket & Flexible Stainless Steel Supply Hoses

Product Compliance:

ASME A112.18.1 / CSA B125.1
NSF 61 - Section 9
NSF 372 (Low Lead Content)
2019 DOE PRSV - Class II